



D1 Industrial integrator

D1 is a Industrial Rogowski coil integrator installation in distribution box, in a plastic 1 module DIN-RAIL enclosure, powered directly from the mains.

What does Integrator do?

- Rogowski coil output is weak voltage mV signal, D1 has ability to amplify and convert it to standard signal which could be caught by multimeter and scope.
- Rogowski coil output is proportional to the frequency of the measured current, the signal equalization ensure a linear response on a wide frequency range. D1 allows to use coils on different electrical network frequencies, keeping the same output level over the frequencies.
- An integrator is essential to equalize and shift by 90° the output signal from the Rogowski coils. It consists of an active electronic circuit with negligible offset and a good linearity.

Feature

D1 can be combined with any model and size of Y-FCT or FCT Rogowski coils.

The available values are: 0-5VDC, 0-5VAC, 4-20mAC.

On request the input value can be customized according to the application.

D1 and Rogowski coil is a very flexible system, suitable for high power load analysis, impulsive current monitoring, DC ripple measurement, etc.

Due to its specific features, flexible Rogowski coil is an extremely comfortable solution for current measurement and can be used in a number of cases where traditional current transducer is not the adequate solution.

Advantage

- High read accuracy 0.5%
- Easy to install with DIN-RAIL
- High bandwidth for measurement 5 to 20kHz
- Lower zero drift down to 2mV

Related Products

Y-FCT, FCT, NRC, MRC

Applications

Measuring devices

- Power monitoring & analysis
- Harmonics and transients monitoring
- Welding machine control
- High current measurement
- PLC control

What is a Rogowski coil?

Rogowski coils have been used for the detection and measurement of electric currents for decades. They are based on a simple principle: an “air-cored” coil is placed around the conductor in a toroidal fashion and the magnetic field produced by the current induces a voltage in the coil. The voltage output is proportional to the rate of change of current. This voltage is integrated, thus producing an output proportional to the current.

By using precision winding techniques, especially developed for the purpose, the coils are manufactured so that their output is not influenced by the position of the conductor within the toroid, and to reject interference from external magnetic fields caused, for example, from nearby conductors.

Basically, a Rogowski coil current measuring system consists of a combination of a coil and conditioning electronics. Rogowski coil current transducers are used for the AC measurement.

They can be used in similar circumstances to current transformers but for many applications they have considerable advantages:

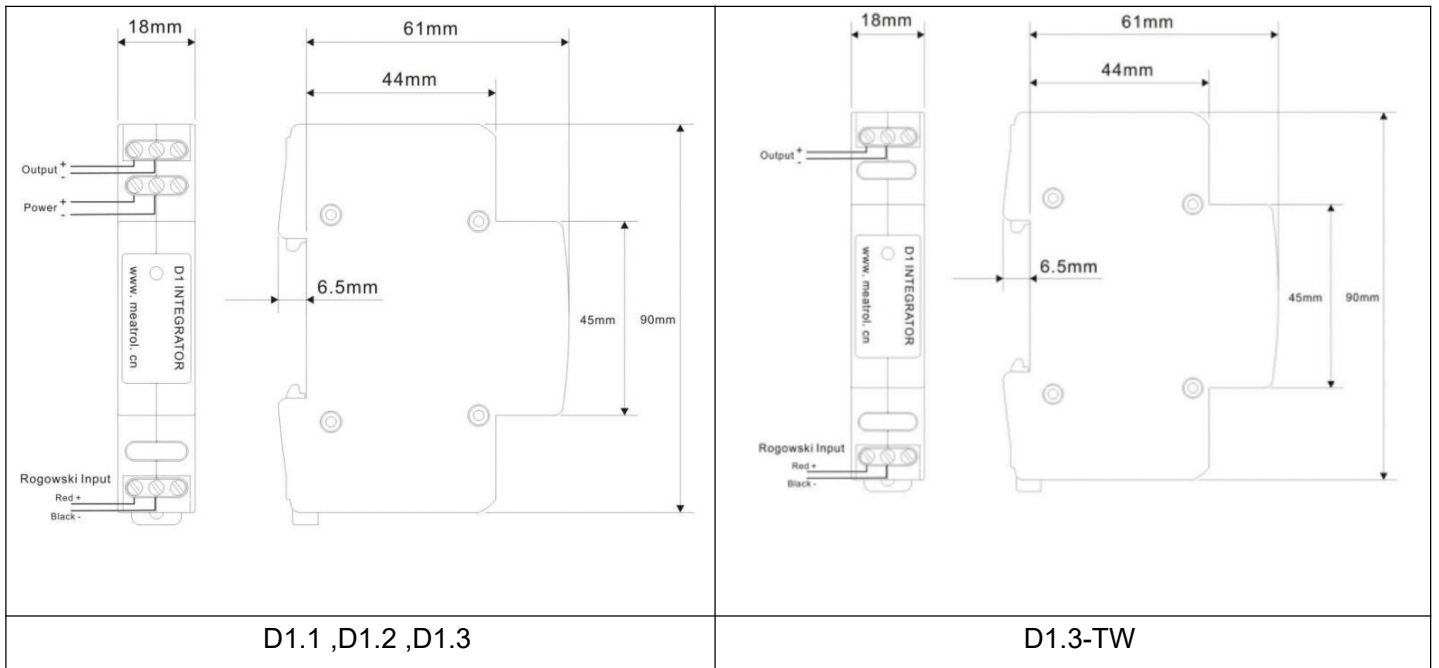
- Wide dynamic range.
- High linearity.
- Very useful with large size or awkward shaped conductors or in places with limited access. Thanks to the structure without hard core, the coil can be easily manufactured according to the application or to the available space.
- Unlike traditional current transducers, there is no danger from open-circuited secondaries.
- They cannot be damaged by large overloads.
- They are non-intrusive. They draw no power from the main circuit carrying the current to be measured.
- They are also light weighted and in some applications are light enough to be suspended on the conductor being measured.

The transducer does not measure direct currents but, unlike a current transformer, it can carry out accurate measurements of AC component even if there is a large superimposed DC component, since there is no iron core causing saturation. This feature is particularly useful for measuring ripple currents for example in battery charging systems.

Specification

Model	D1.1	D1.2	D1.3	D1.3-TW
Rated output	5V AC rms	4V DC (true-rms)	4-20mA (3-wire mode)	4-20mA (passive 2-wire mode)
Maximum Output(overload)	10V AC rms	4.8V DC	25mA	25mA
Output Ripple factor	0.5%	Default 5% (relay to Response time)		
Response time	≤1us	Default 100ms(adjustable)		
Power consumption	150mW	200mW		
Bandwidth	10Hz to 20kHz	20-2kHz		
Rated Input	100A 600A 1000A 3000A 6000A			
Read Accuracy	0.5% typical at 1%(≥10A) to 200% of rated Current @25°C			
Phase error	≤0.5°			
Linearity	±0.2% of reading(1% to 200% of range)			
Minimum Current measurement	1A (Ripple 100mA)			
Output on 0A (zero drift)	≤2mV			
Temperature drift	200ppm/°C			
Weight	60g			
Dimension	90*61*18mm			
Power supply	12V or 24V(best performance on 24V default)			
Operating temperature	-20°C to 70°C			
Storage temperature	-30°C to 90°C			
Relative humidity:	80% max.without condensation			
Protection degree:	IP20			
Other requirements,please contact us to OEM.				

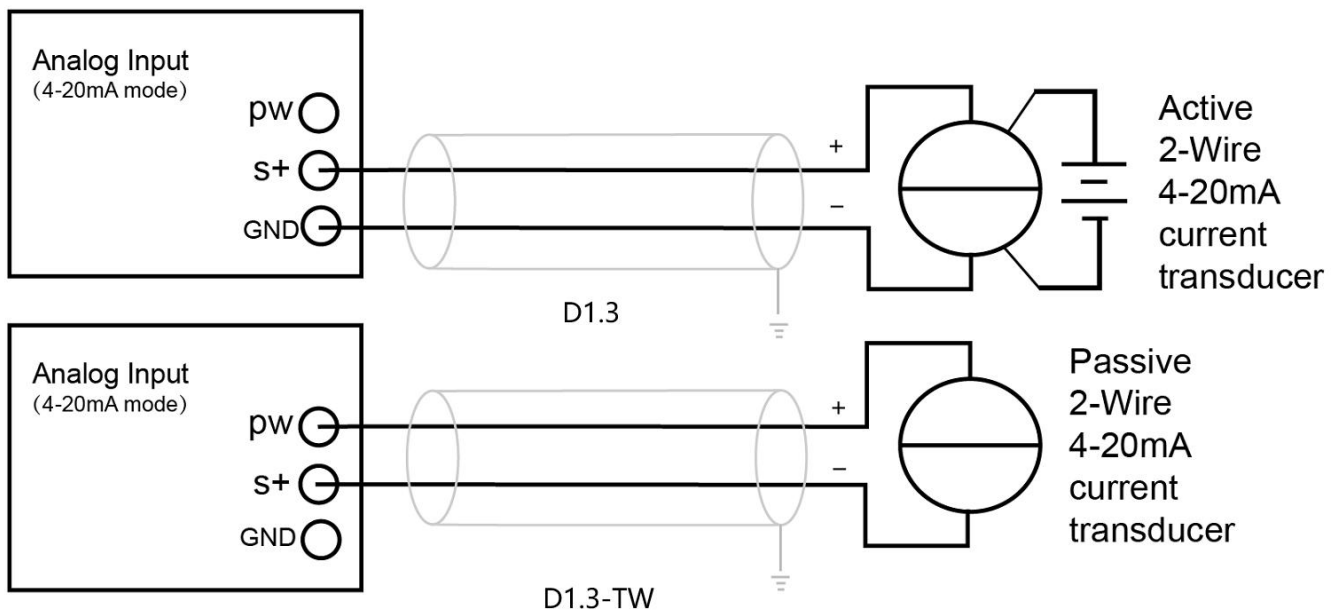
Size



D1.1 ,D1.2 ,D1.3

D1.3-TW

D1.3 and D1.3-TW connection



Safety and warning notes

In order to guarantee safe operation of the transducer and to be able to make proper use of all features and functions, please read these instructions thoroughly! Safe operation can only be guaranteed if the transducer is used for the purpose it has been designed for and within the limits of the technical specifications. Ensure you get up-to-date technical information that can be found in the latest associated datasheet under www.rogowski.cn

Caution! Risk of danger

Ignoring the warnings can lead to serious injury and/or cause damage!

The electric measuring transducer may only be installed and put into operation by qualified personnel that have received an appropriate training. The corresponding national regulations shall be observed during installation and operation of the transducer and any electrical conductor. The transducer shall be used in electric/electronic equipment the respect to applicable standards and safety requirements and in accordance with all the related systems and components manufacturers' operating instructions.

Caution! Risk of electrical shock

When operating the transducer, certain parts of the module may carry hazardous live voltage (e.g. primary conductor). The user shall ensure to take all measures necessary to protect against electrical shock. The transducer is a build-in device containing conducting parts that shall not be accessible after installation. A protective enclosure or additional insulation barrier may be necessary. Installation and maintenance shall be done with the main power supply disconnected except if there are no hazardous live parts in or in close proximity to the system and if the applicable national regulations are fully observed.

Safe and trouble-free operation of this transducer can only be guaranteed if transport, storage and installation are carried out correctly and operation and maintenance are carried out with care.

WARNING!

Do not stress the coil by applying any kind of mechanical force (ie. twisting, puncturing, excessive pressure, tight bending, etc.) which will dramatically degrade the device's accuracy.

Order code

Coil:

Coil Model	Coil diameter (mm)	Output ratio and tolerance	Signal cable length
Code:Y-FCT	Code:200(Typical rated 500A) Code:350(Typical rated 1500A) Code:510(Typical rated 3kA) Code:800(Typical rated 10kA) Y-FCT code is length.	Code:110 110mV/kA@50Hz±5% Code:100 100mV/kA@50Hz±0.5% Code:85	Code:-2m Code:-5m Code:-10m Code:-20m
	Code:NRC	Code:100(Typical rated 1kA) Code:150(Typical rated 3kA) Code:200(Typical rated 6kA) 85mV/kA@50Hz±0.5% Code:50 50mV/kA@50Hz±0.5%	
Code:MRC	Code:16(Typical rated 100A) Code:24(Typical rated 300A) Code:36(Typical rated 600A) Code:60 60mV/kA@50Hz±5% Code:50 50mV/kA@50Hz±0.5%		
Code:SRC	Code:50 Code:100 Code:150	Code:360 360mV/kA@50Hz±5% Code:333 333mV/kA@50Hz±0.5% Code:100 100mV/kA@50Hz±0.5% Code:85 85mV/kA@50Hz±0.5% Code:50 50mV/kA@50Hz±0.5%	
Other requirement could be OEM			

Final Code=Coil model+Coil length+Output ratio tolerance+Signal cable length

For example:

Y-FCT-350-100-2m is Y shape connector,coil length 350mm,output 100mV/kA@50Hz 0.5% tolerance,signal cable length is 2meter.

Integrator:

Integrator	Output form	Output value	Rated current	Power supply
Code:D1 (DIN-RAIL integrator)	Code: .1(AC voltage output)	Code: -333(333mV)	Code: -600A Code: -1kA Code: -3kA Code: -6kA	Code: -12(12V DC) Code: -24(24V DC)
	Code: .2(DC voltage output)	Code: -1(1V) Code: -5(5V)		
Code:S9 (mini integrator)	Code: .1(AC voltage output)	Code: -333(333mV)		Code: -12(6-12V DC) Code: -24(24V DC)
	Code: .2(DC voltage output)	Code: -1(1V) Code: -3(3V)		
Code:S1 (high accuracy integrator)	Code: .1(AC voltage output)	Code: -333(333mV)		Code: -12(4-12V DC) Code: -24(24V DC)
	Code: .2(DC voltage output)	Code: -5(5V) Code: -10(10V)		
Code:ATP-01 (1A output three phase integrator)	N/A(0-1A)	N/A		Code: -12(12V DC) Code: -24(24V DC)
Code:A01 (1A output integrator)	N/A(0-1A)	N/A	N/A(85-265V AC DC)	
Code:A05 (5A output integrator)	N/A(0-5A)	N/A	N/A(85-265V AC DC)	
Code:HF (high frequency integrator)	N/A(0-10VAC peak)	N/A	Code: -1kA(1kA/1V) Code: -10kA(10kA/1V)	N/A(4-12V DC)
Other requirement could be OEM				

Final Code=Integrator+Output form+Output value+Rated current+Power supply

For example:

D1.1-1-500A-12 is D1 integrator,AC voltage output,500A rated,output 1V,power supply 12V DC

A01-1kA is A01 integrator,rated 1kA,output 1A,power supply 85-265V AC DC